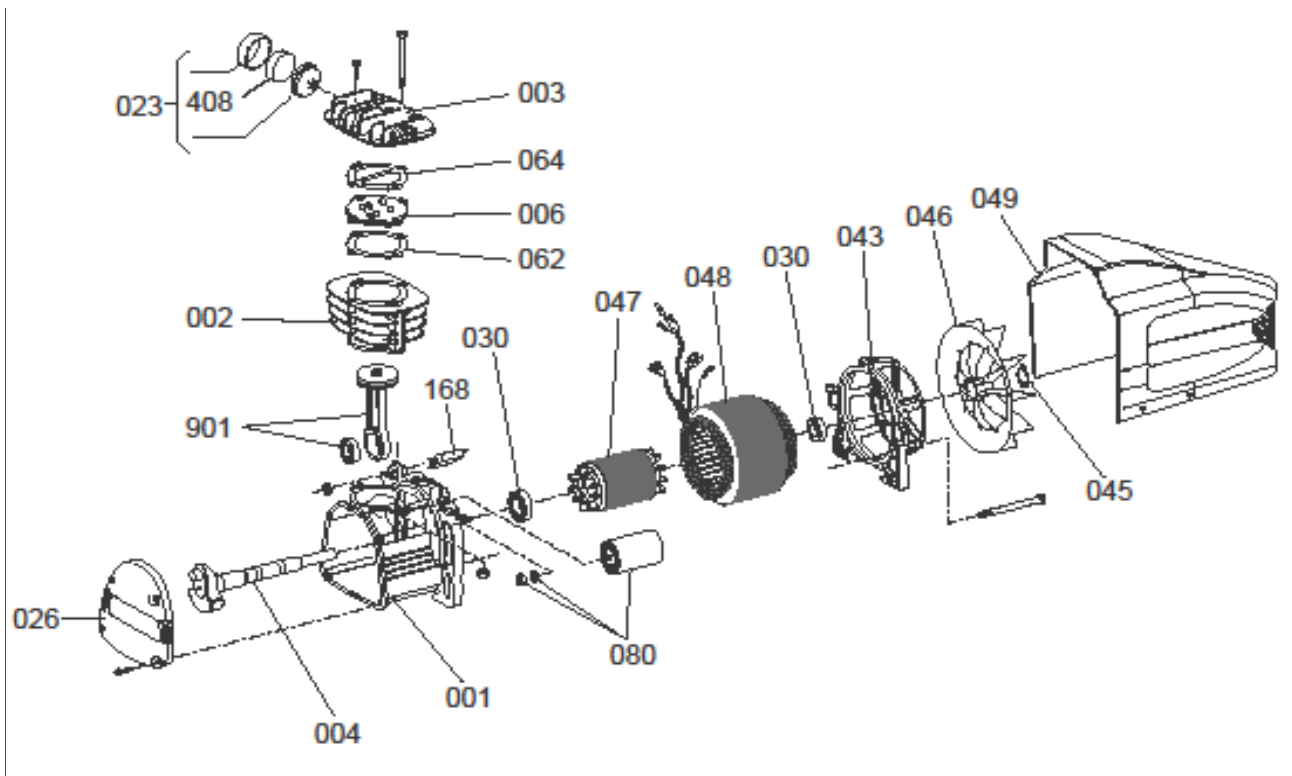


Item	Code	Description	Qty	Itw code
102	9042030	WHEEL D.175 D12 L39	2	155044
103	9038066	RUBBER FOOT H=45 D=59 55HS	2	155045
104	9083869	HANDLE	1	155055
105	9048063	NON RET.VAL.3/8-3/8M	1	155046
106	9047069	QUICK COUPLING 1/4"M (REDRING)	1	150872
107	9047051	TAP BALL VALVE 3/8" M	1	155056
108	9420352	MANIFOLD ASS.PIO.10B 499HU0006	1	155047
109	9052019	GAUGE 40 1/8 P 0-12	2	155057
110	9049019	SAF.VALVE 1/4" CE 10BAR CHAOCH	1	150556
112	9053159	ELBOW 3/8"M D.CON.10,2	1	150557
115	9139071	SEEGER ZA 12	2	155058
117	9038599	HANDLE RUBBER D25	2	155059
117	9038134	HANDLE RUBBER D25 (HALF HANDLE)	1	155060
127	9270044	RILSAN PIPE 10 BLACK	0,45	155061
127	9270006	RILSAN PIPE 4/6 BLACK	0,25	150877
131	9063233	PRESS.SW.4W 1/4" MDR1	1	155062
132	4100182	CORD 3X2,5 SCHUKO H05 RRF DIR.	1	155063
145	9043319	SEND.PIPE PIONEER CU 164IQ0002	1	155048
167	9416524021	BASE PIONEER BLK 168IQ0005V17	1	155064



Item	Code	Description	Qty	Itw code
1	4105216	CRANKCASE(MACH.)	1	155065
2	4105807	CYLINDER OL2350 116XU0001	1	155066
3	4105155	HEAD MK285 G3/8"	1	155067
4	4105812	CRANKSHAFT OL2400 116XU0003	1	155068
6	4106684	VALVE PLATE CPL OL232	1	155069
23	4105164	INTAKE FILTER G3/8 MK263/P	1	155049
26	4105814	FRONT COVER 116XU0006	1	155070
30	4105002	BEARING 6203-2Z,P6C3	1	155071
30	9170098	BEARING 6005-2RS GREASE-HT.C&U	1	155072
43	4105215	REAR COVER SD2500	1	155073
45	4105007	CIRCLIP 16x1.5 (GB894.1-86-A)	1	155074
46	4105029	FAN SD2500	1	155050
47	4105205	STATOR MK215-232 23050 H70 CU	1	155075
48	4105182	ROTOR FOR STATOR 4105205	1	155076
49	4105193	SHROUD MK215	1	155051
62	4105808	GASKET CYLINDER OL232 0,5MM	1	155077
64	9417185	GASKET HEAD OL232 (1MM)	1	155078
80	4105131	CAPACITOR CBB60-30μF/450V	1	155052
168	4105058	OVERLOAD CUT-OUT 7A,700-MR	1	155053
408	4105149	FILTER ELEMENT 60X18 MK246	1	155054
901	4106701	KIT CONR./PIST./SEAL OL232	1	155079